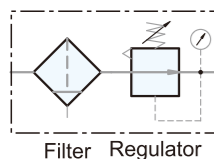


Symbol



Features

1. Remove water and particle effectively.
2. 40µm and 5µm filter element are easily interchangeable and replaceable.
3. Accurate and easy pressure setting.



How to order

UFR	02	N	C	H	A
Filter Regulator	Port size	Thread	Filtration	Drain	Bowl
	02 : 1/4"	Blank : G	PE	Blank : Semi-auto drain	Blank : Standard bowl
	03 : 3/8"	N : NPT	Blank : 5µm	H : Manual drain	A : Anti-acid & alkali bowl
	04 : 1/2"	R : Rc	C : 40µm	D : Auto drain	AL : Aluminum bowl
	06 : 3/4"		Sintered brass		
	08 : 1"		S : 5µm		
			T : 40µm		

Please contact our sales for non-relieving type.

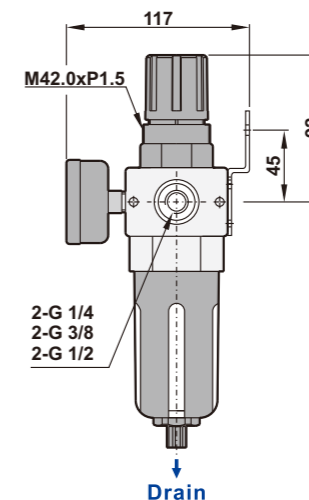
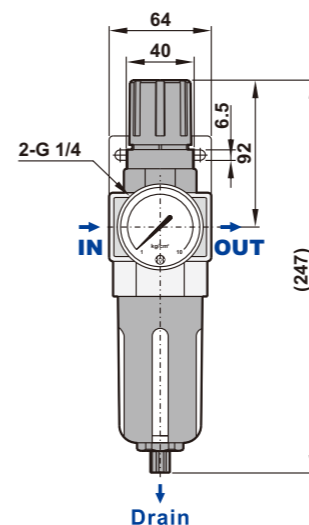
*For non-relieving type, the secondary pressure is not allowed to be exhausted when it is higher than setting pressure.

Specifications

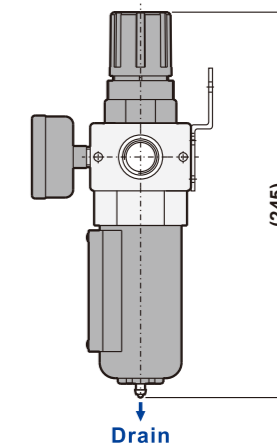
Model	UFR-02	UFR-03	UFR-04	UFR-06	UFR-08
Port size	1/4"	3/8"	1/2"	3/4"	1"
Fluid	Compressed air				
Regulator construction	Piston				
Body material	Aluminum die-cast				
Bowl material	Polycarbonate (Standard), Anti-acid & alkali bowl (Option), Aluminum bowl (Option)				
Filtration	PE: 5µm (Standard), 40µm (Option); Sintered brass (Option): 5µm, 40µm				
Operating pressure range	0.5 ~ 9.9 kgf/cm ²				
Max. inlet pressure	15 kgf/cm ²				
Max. flow rate l/min (ANR) 40µm	2080	2100	2600	7940	8200
Ambient temperature	-10°C ~ 60°C				
Filter bowl capacity	105cc			210cc	
Standard drain	Semi-auto drain (Drains below 0.5kgf/cm ²)				
Net weight	930g (Al bowl 1230g)			1360g (Al bowl 1710g)	
Accessories	Pressure gauge, Mounting bracket set, Plug				

Dimensions

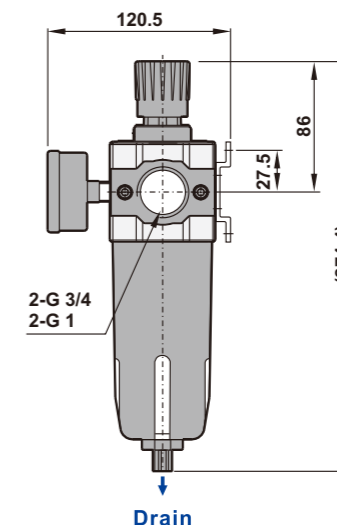
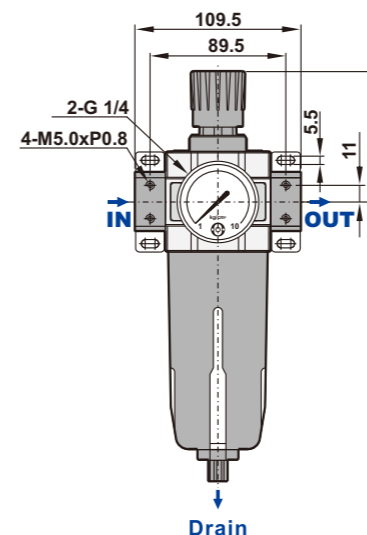
UFR-02, 03, 04



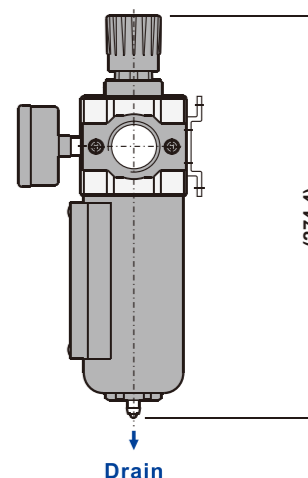
Aluminum bowl



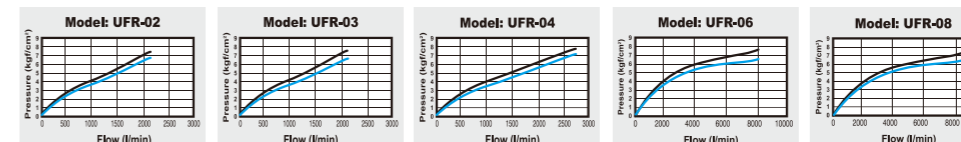
UFR-06, 08



Aluminum bowl



Flow chart



Note:

X axis: Flow (l/min)
 Y axis: Pressure (kgf/cm²)
 Blue line (P0) = Outlet pressure
 Black line (P1) = Inlet pressure
 P1-P0 = Pressure range