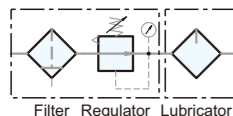
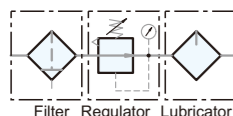


Miniature F.R.L Combination

Filter + Regulator + Lubricator & Filter Regulator + Lubricator

Symbol



Features

1. Remove water and particle effectively.
2. Compact size with effective air service.
3. 40µm and 5µm filter element are easily interchangeable and replaceable.
4. Accurate and easy pressure setting.
5. Oil spray in mist ensures good lubrication for machines.
6. Strict quality control offers product stable quality and long life.



*Lubricator oil (Recommended): ISO-VG32

How to order

FRL700A	—	O2	N	C	H	A	K
Miniature Filter+Regulator+Lubricator	Port size	Thread	Filtration	Drain	Bowl	Bowl guard	
FRL700A : 0.5~9.9kgf/cm ²	O1 : 1/8"(option)	Blank :G	PE	Blank :Semi-auto drain	Blank :Standard bowl	Blank :W/O guard	
FRL700AL4 : 0.5~4kgf/cm ²	O2 : 1/4"	N :NPT	Blank :5µm	H :Manual drain	A :Anti-acid & alkali bowl	K :W/I guard	
FRL700AL2 : 0.5~2kgf/cm ²		R :Rc	C :40µm	D :Auto drain			
Miniature Filter Regulator+Lubricator			Sintered brass				
FRL600A : 0.5~9.9kgf/cm ²			S :5µm				
FRL600AL4 : 0.5~4kgf/cm ²			T :40µm				
FRL600AL2 : 0.5~2kgf/cm ²							

Please contact our sales for non-relieving type.

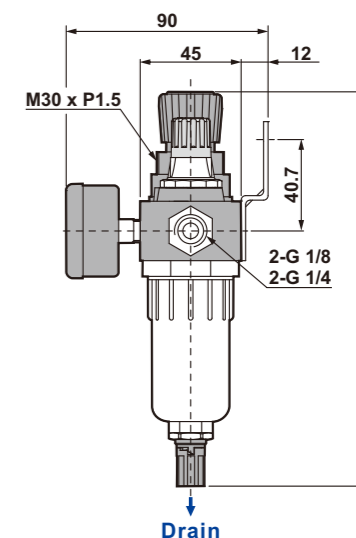
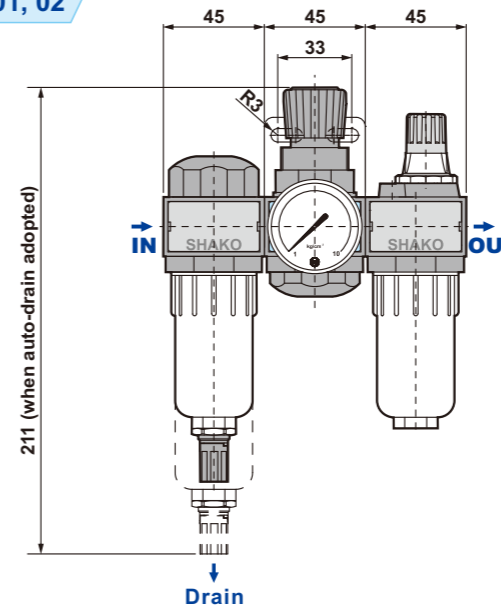
*For non-relieving type, the secondary pressure is not allowed to be exhausted when it is higher than setting pressure.

Specifications

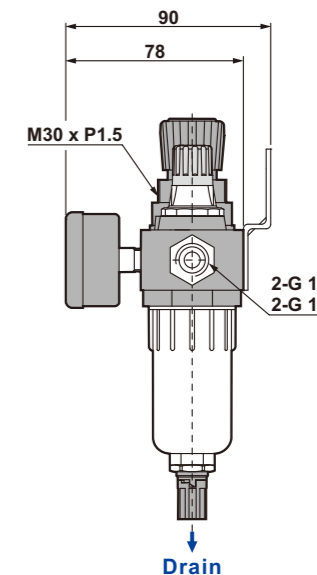
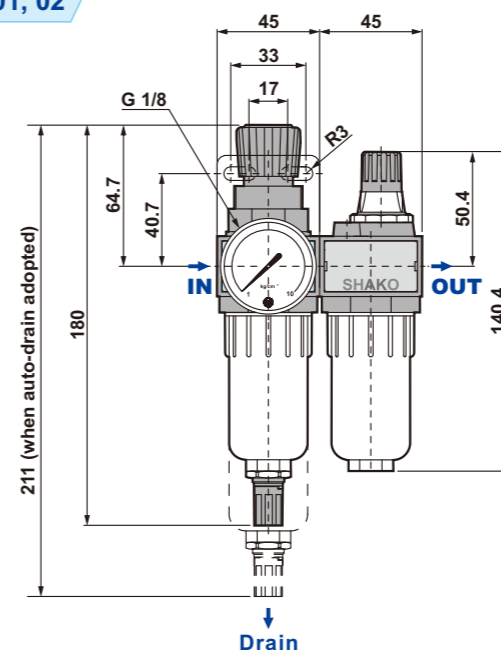
Model	FRL700A-01	FRL700A-02	FRL600A-01	FRL600A-02
Port size	1/8" (option)	1/4"	1/8" (option)	1/4"
Fluid	Compressed air			
Regulator construction	Diaphragm			
Body material	Polycarbonate			
Bowl material	Polycarbonate (Standard)			
Filtration	PE: 5µm (Standard), 40µm (Option); Sintered brass(Option):5µm, 40µm			
Operating pressure range	0.5 ~ 9.9 kgf/cm ² (L4:4.0 kgf/cm ² , L2:2.0 kgf/cm ²)			
Max. inlet pressure	12 kgf/cm ²			
Max. flow rate l/min (ANR) 40µm	1850		1650	1850
Ambient temperature	-10°C ~ 60°C			
Filter bowl capacity	35cc			
Lubricator bowl capacity	50cc			
Standard drain	Semi-auto drain (Drains below 0.5kgf/cm ²)			
Net weight	810g		560g	
Accessories	Pressure gauge, Mounting bracket set, Plug			

Dimensions

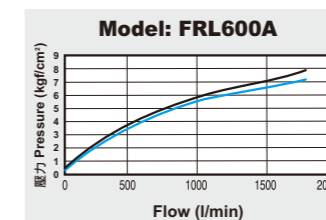
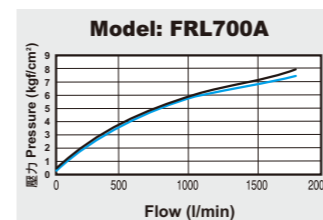
FRL700A-01, 02



FRL600A-01, 02



Flow chart



Note:

X axis: Flow (l/min)

Y axis: Pressure (kgf/cm²)

Blue line (P0) = Outlet pressure

Black line (P1) = Inlet pressure

P1-P0=Pressure range